

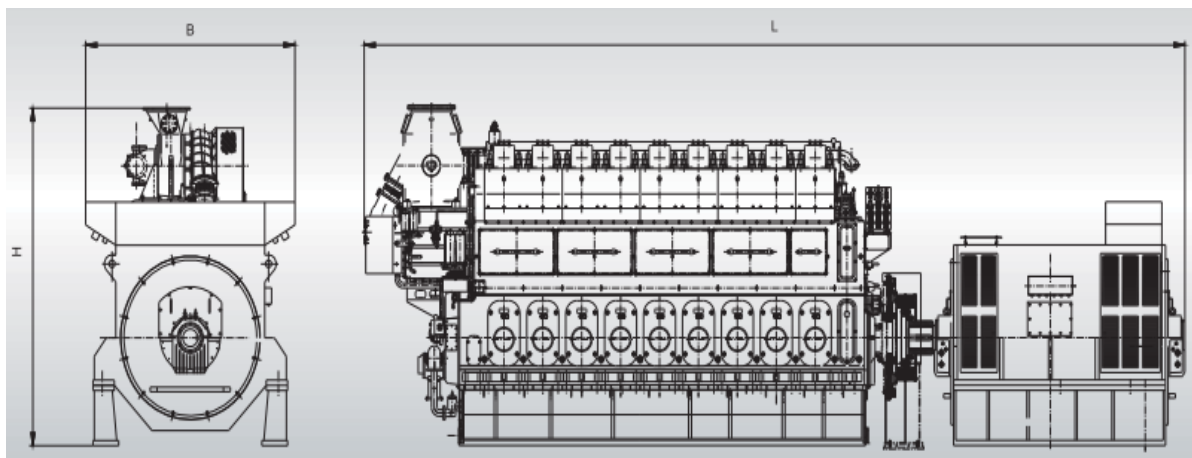


# ZCP Generator Sets Specification

## LB6250ZLD

Bore 250 mm, Stroke 320 mm

Main Data					
Speed	750 rpm		720 rpm		
Frequency	50 Hz		60 Hz		
Model	Genset. kw	Engine. kw	Genset. kw	Engine. kw	
1000GF	1,000	1,103	1,000	1,103	
900GF	900	1,000	-	-	
800GF	800	882	800	882	
Based on alternator efficiency of 95%.					
Specific Consumption					
100% Load		Unit			
Fuel Oil Consumption		g/kWh		190	
Lube oil consumption		g/kWh		0.5 - 0.8	
Dimensions					
Speed	Cyl.	Dimensions (mm) <sup>1)</sup>			Dry Mass (ton) <sup>2)</sup>
		L	B	H	Genset <sup>1),3)</sup>
	6	6,520	1,800	2,980	27.5



### Remarks:

- 1) Depending on alternator.
- 2) Weight included a standard alternator (Maker: ZCP).
- 3) With common base frame & alternator.
- 4) This size is only for reference. The actual size is subject to the size defined in the agreement of the specific project..

URL: <http://www.soarpower.com>

E-mail: sale@soarpower.com

Phone: +86-4008111308